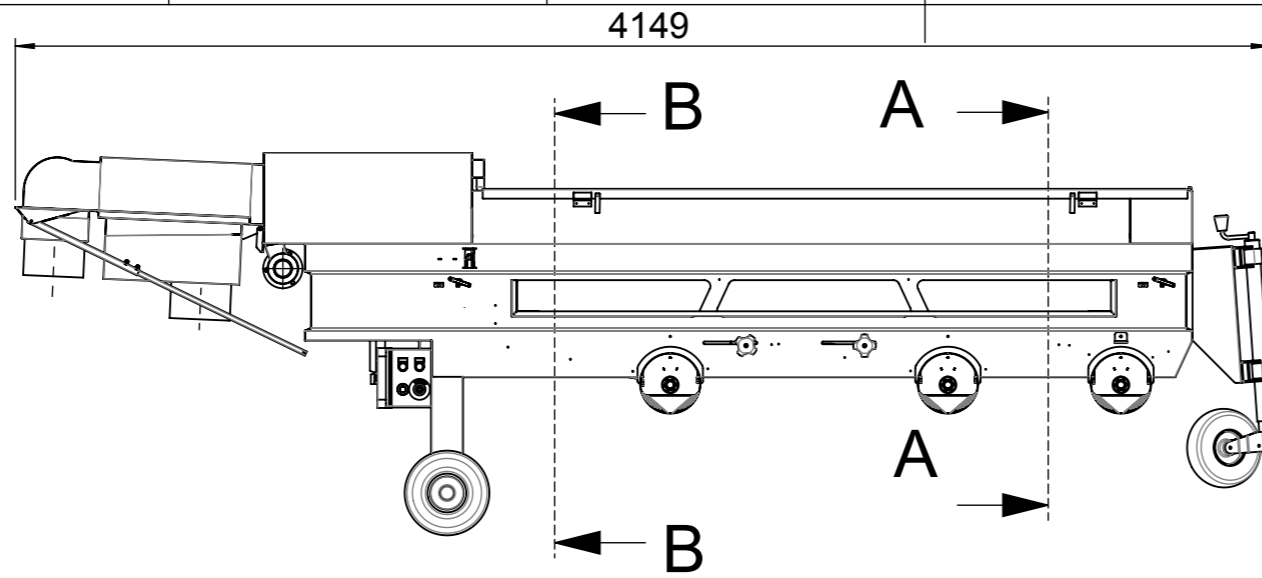
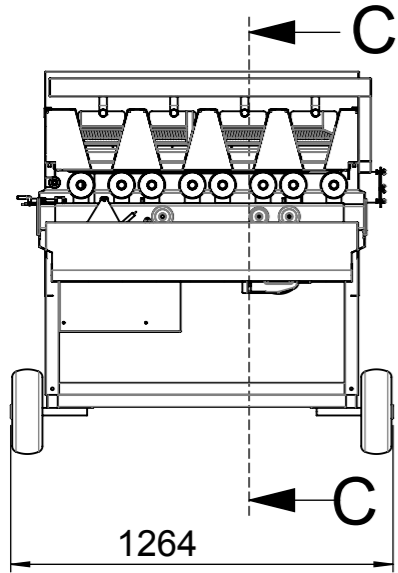
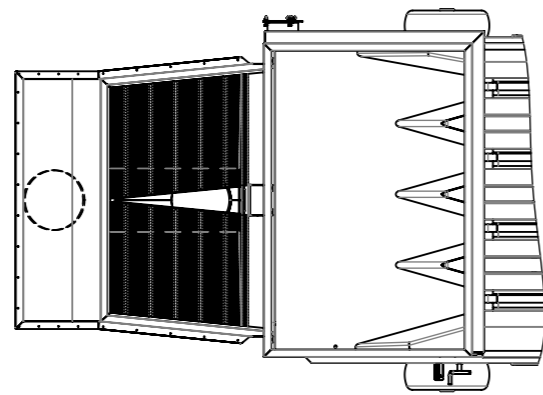
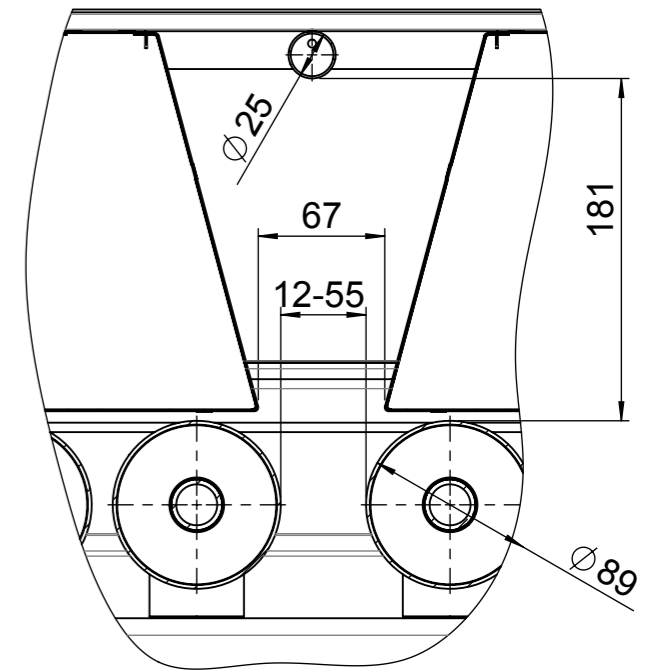


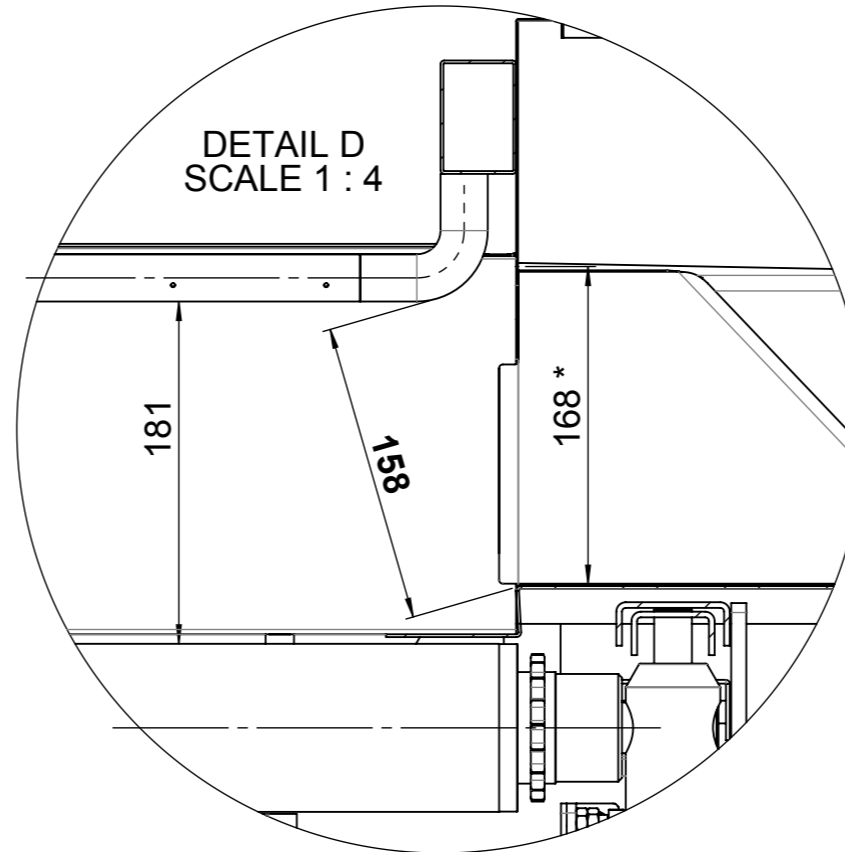
SECTION B-B



SECTION A-A
SCALE 1 : 4

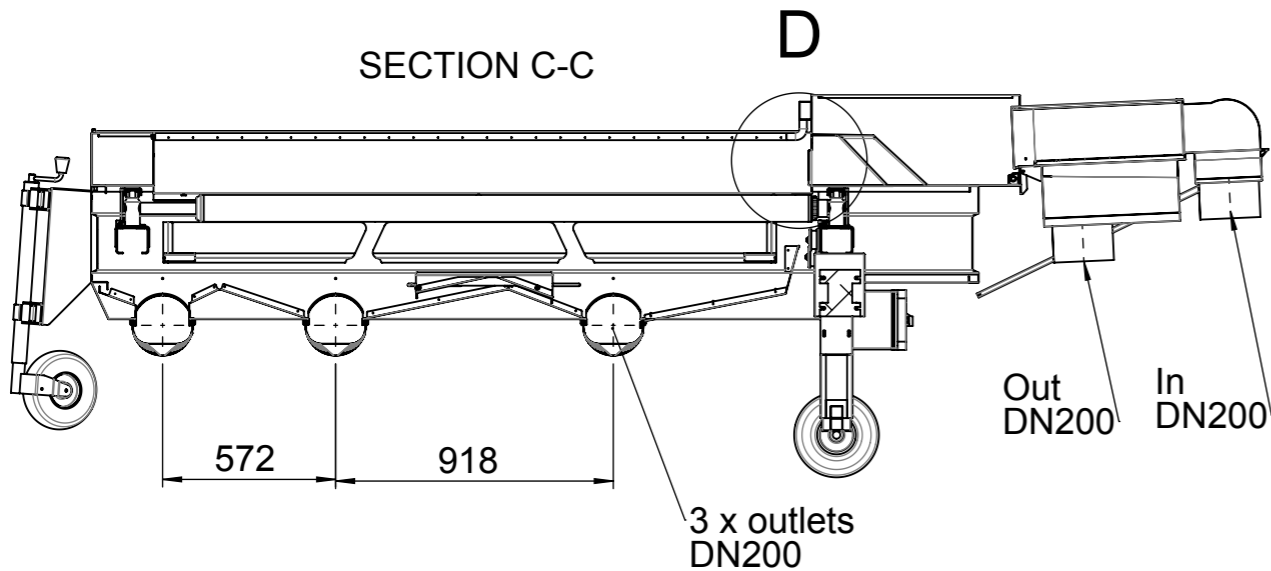



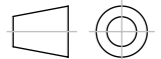
DETAIL D
SCALE 1 : 4



* opening height

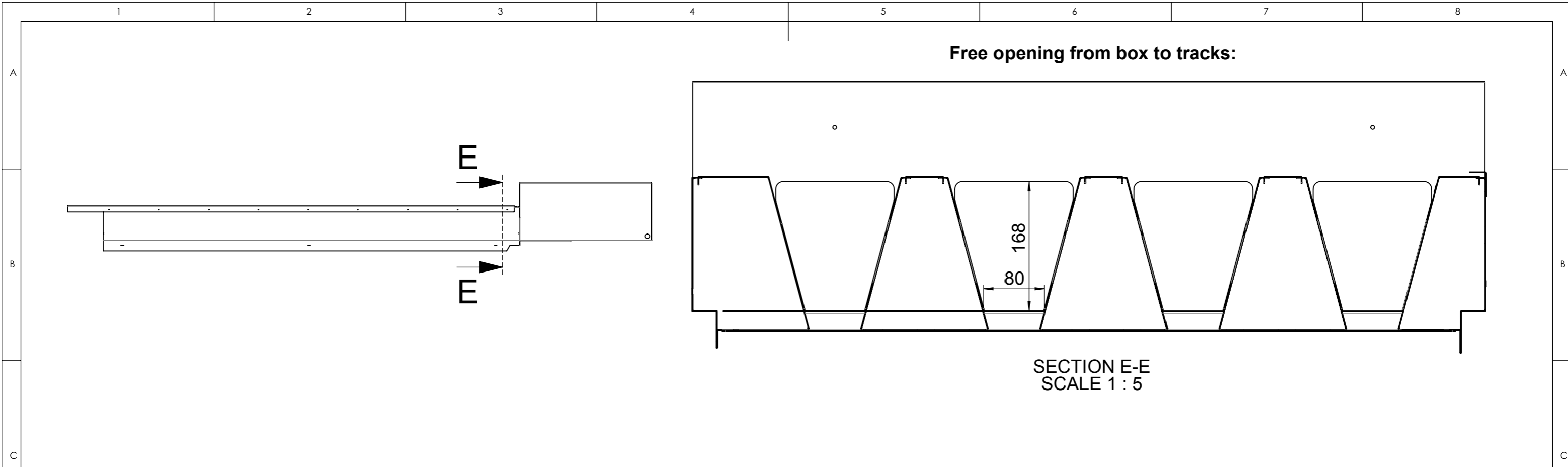
SECTION C-C



Note1:	 Maskinfabrikken APOLLO A/S Industrivej 2 , DK-7330 Brande 97 18 06 90, fax 97 18 36 90	Weight	419.44 kg.
		Creator:	
Note2:	Description: 4 track XL grader 12-55mm.	Scale	1:25
		Creation Date	
Material:	Finish Replacement for:	Tolerances: Where nothing mentioned; DS/ISO 2768-M	 Last manu. revision
		Part No./Filename: 32m-000-00 AT	Sheet-no s1

Rev. A	Rev. B	Rev. C	Rev. D	Rev. E	Rev. F	Rev. G	Rev. H	Rev. I	Rev. J
Date/ini.	Date/ini.	Date/ini.	Date/ini.	Date/ini.	Date/ini.	Date/ini.	Date/ini.	Date/ini.	Date/ini.


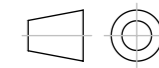
THE INFORMATION CONTAINED IN THIS DRAWING IS THE PROPERTY OF Maskinfabrikken APOLLO A/S. ANY REPRODUCTION IN PART OR WHOLE WITHOUT THE WRITTEN PERMISSION OF Maskinfabrikken APOLLO A/S IS PROHIBITED



SECTION E-E
SCALE 1 : 5

Rev. A	Rev. B	Rev. C	Rev. D	Rev. E	Rev. F	Rev. G	Rev. H	Rev. I	Rev. J
Date/ini.	Date/ini.	Date/ini.	Date/ini.	Date/ini.	Date/ini.	Date/ini.	Date/ini.	Date/ini.	Date/ini.

THE INFORMATION CONTAINED IN THIS DRAWING IS THE PROPERTY OF Maskinfabrikken APOLLO A/S. ANY REPRODUCTION IN PART OR WHOLE WITHOUT THE WRITTEN PERMISSION OF Maskinfabrikken APOLLO A/S IS PROHIBITED

Note1:	 Maskinfabrikken APOLLO A/S Industrivej 2 , DK-7330 Brande 97 18 06 90, fax 97 18 36 90	Weight	kg.
		Creator:	
Note2:	Description: Top 4sp XL12-55mm.	Scale	1:20
		Creation Date	
Material:	Finish	Tolerances: Where nothing mentioned; DS/ISO 2768-M	
	AISI316L		
		Part No./Filename: 32M-400-00 acuitec	Last manu. revision Sheet-no s2